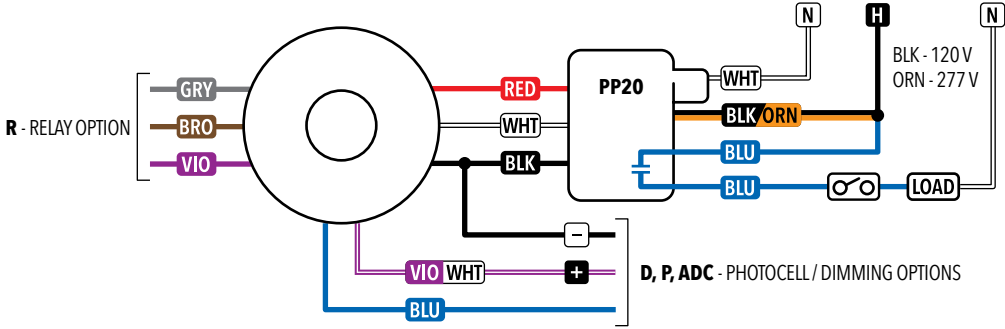


Ceiling Mount Sensors

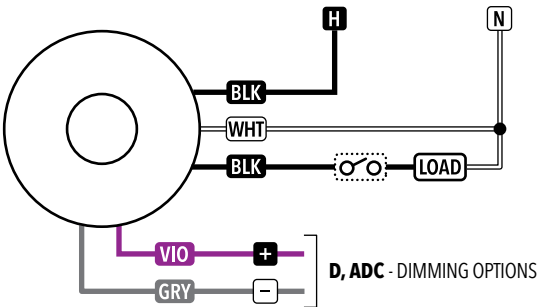
Wiring Diagrams



LOW VOLTAGE SENSORS

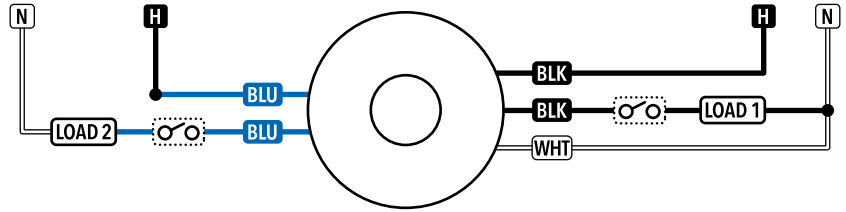


LINE VOLTAGE SENSORS

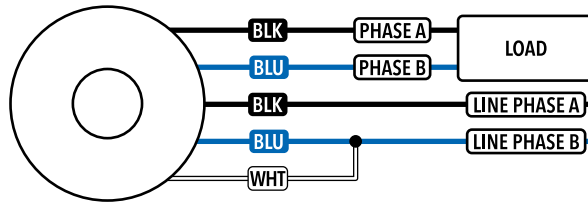


*in the 0-10V product the grey wire could be pink

LINE VOLTAGE 2-POLE SENSORS



LINE VOLTAGE 208/240 OR 480 VAC SENSORS



*in the 0-10V product the grey wire could be pink